

Anti-Ligature Ventilation Grille

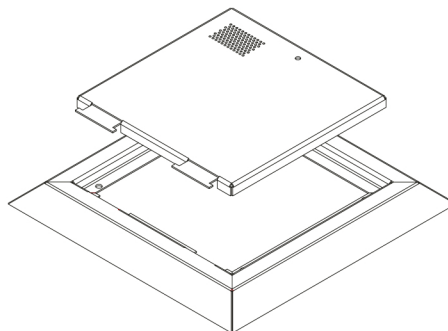
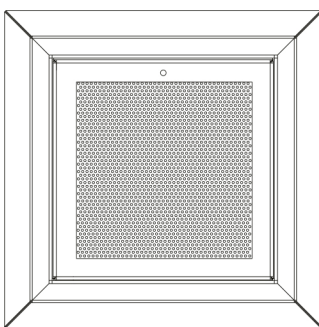
Ventilation grilles are often positioned on ceilings or high on walls. Their openings can be used to create a ligature point, making ventilation grilles a serious hazard in mental health environments. Plastic grilles can be broken to create sharp instruments, creating a risk to service users and staff. Contour's Anti-Ligature ventilation grille reduces the ligature risk when installed over the top of standard ventilation grilles.



Benefits

- IP3x Grille (2mm holes at a 4mm staggered pitch) allow air to pass through.
- Robust, full frame provides easy access for cleaning and maintenance.
- Powder coated finish-white as standard (other colours available)
- Manufactured from 1.5mm Zintec Steel or 1.5mm Magnelis coated steel is also available when installing in wet areas.
- Security fixing is used to provide access to authorised staff.
- Exclusive BioCote® antimicrobial protection.
- Available with or without front access

Sizes available:



Size	Product Code
200 x 200mm	ALG200200
250 x 250mm	ALG250250
300 x 300mm	ALG300300
350 x 350mm	ALG350350
400 x 400mm	ALG400400
450 x 450mm	ALG450450
500 x 500mm	ALG500500
550 x 550mm	ALG550550

*Bespoke sizes available