

HVAC-Air Con Unit Anti-Ligature Covers

Contour's AC covers offer a robust, hygienic, and practical solution that delivers long-term performance in the most demanding of environments.

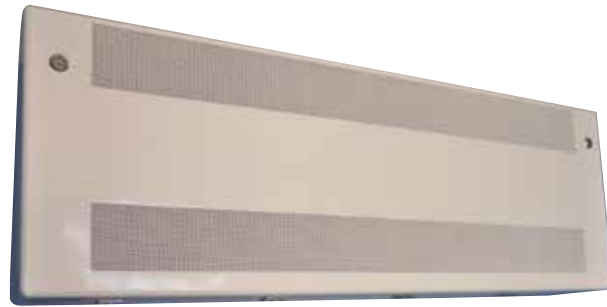
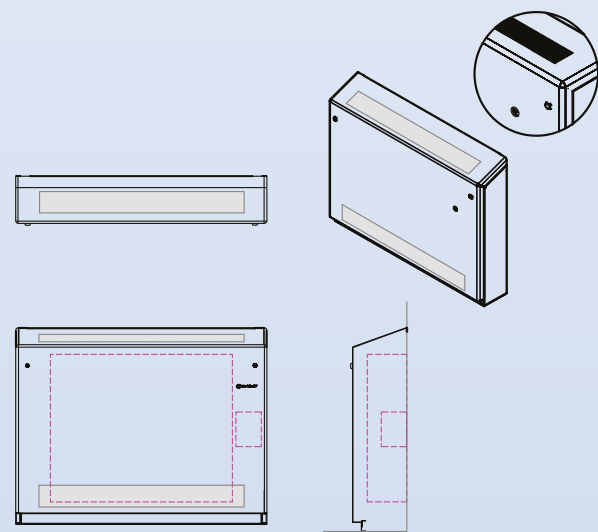
Pioneering drop-down front door providing complete access to every internal surface for cleaning and maintenance – removing the need for assistance from estates. Manufactured from Magnelis Steel to combat rusting.



Floor Mounted

The patented quick access design of our floor-mounted AC covers enables a single person to access the interior unit for regular cleaning and maintenance.

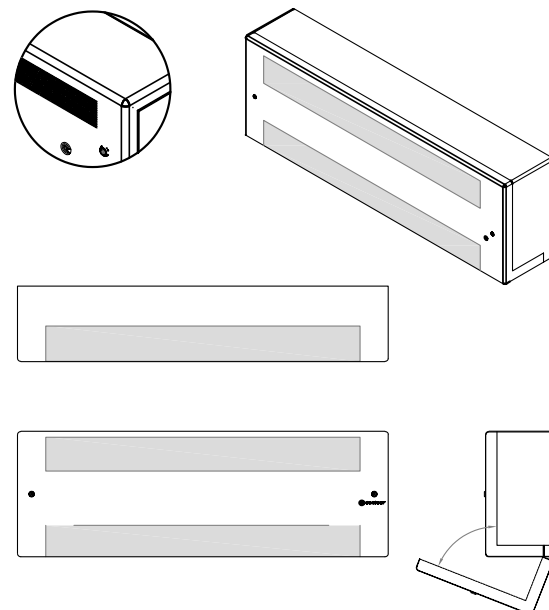
A key benefit to the floor-mounted AC cover is that it allows for pre-fabricated cut-outs for vinyl flooring and skirting boards to ensure there is no need for noisy and messy on-site cutting.



Wall/Ceiling Mounted

Air conditioning units in mental health, custodial and even SEN schools are more susceptible to tampering and vandalism. With this in mind, there is a need to provide a cover which is built around safety to the end-user.

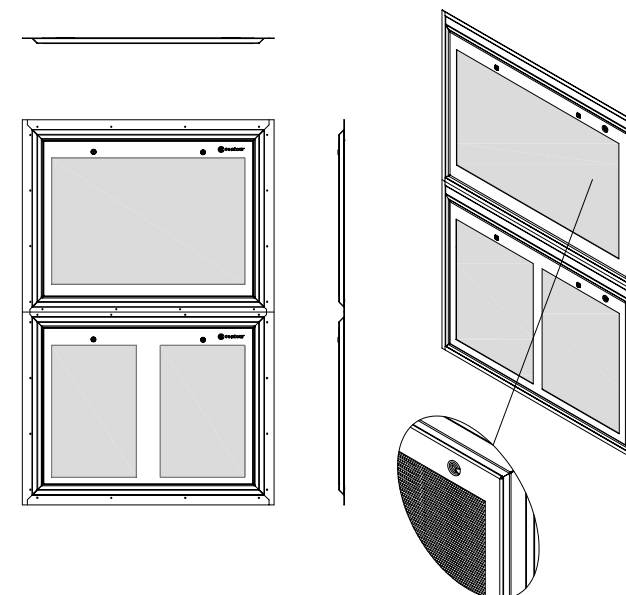
A ceiling-mounted AC cover provides an ideal solution to provide protection from damage and vandalism because they can be fitted at height.



Flat Panel

We understand that every environment is different, and with this, will present its own unique requirements. That's why we have developed the flat-panelled AC covers.

Our AC covers can be retrofitted over existing systems to deliver a solution for use in hospitals, mental health units, SEN schools, pupil referral units care homes, nurseries, school, colleges and other public access buildings.



Perimeter

Perimeter casing requires careful designing to ensure that the efficient functioning of an air movement system will not be impeded by a casing form that suits the aesthetic of the interior environment.

With perimeter casing, you'll not need pipe boxing and it can provide easy access for cleaning and maintenance.

