

# Sovereign

## Bench Radiator

### Summary:

#### Manufacture:

- 1.5mm Zintec steel
- 10mm Radius edges / bullnose corners
- Honeycomb Punched grille to top of cover
- Hard wood seat – Beech
- Slimline or pipe guard feet available

#### Emitter:

- Lamella heat exchanger

#### Valve options available:

- Direct fit External TRV kit

#### Finish:

Polyester powder coated RAL 9016-White

### Technical Information & Specifications

#### Standard delivery

- Standard delivery comprises radiator guard of choice, corresponding Lamella heat exchanger (1B, 2B and 3B as specified) and a Reverse angle Herz ½" external direct fit valve kit (suitable for 15mm copper to copper connection on a two-pipe system)
- Hard wood seat with brackets and fixings

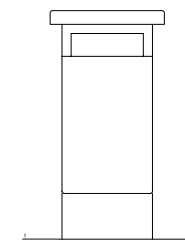
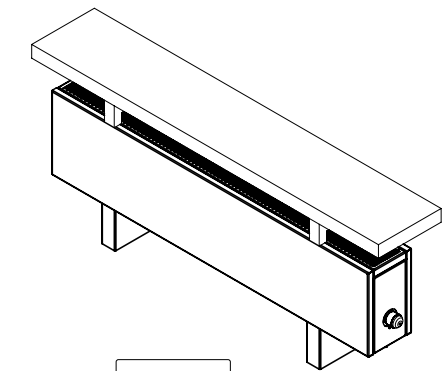
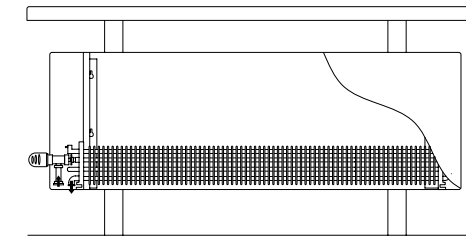
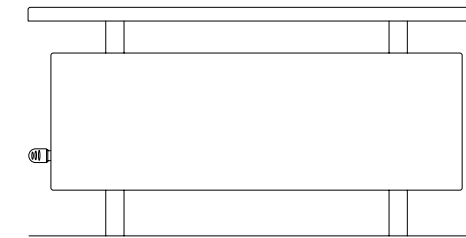
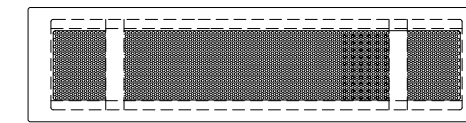
\*Additional carriage charges will apply for multiple phases

Heat Outputs to BS EN 442 Certification.

Outputs based on a mean radiator water temperature of 70°C and a room temperature of 20°C - Delta T 50°C  
To achieve Delta T60 increase T50 figures by 20.5%

To calculate alternative Delta T requirements please refer to page 103

To convert BTU to Watts multiply by 0.293. To convert Watts to BTU divide by 0.293



#### Casing Depth

Type 11	Type 21	Type 22
190mm	250mm	310mm

