

Sovereign

Free Standing

Summary:

Manufacture:

- 1.5mm Zintec steel
- 10mm Radius edges / bullnose corners to both sides
- Honeycomb Punched grille to top of cover
- Pipework enters through feet for safety and aesthetics

Emitter:

- Lamella heat exchanger

Valve options available:

- Direct fit External TRV kit

Finish:

Polyester powder coated in 3 standard designs;

- Option A
Front face = RAL 9016-White
Top and sides = RAL 9016 White
- Option B
Front face = RAL 9016-White
Top and sides = RAL Dark Slate Grey Textured finish
- Option C
Front face = RAL 5008 Grey Blue
Top and sides = RAL 7035 Light Grey

Technical Information & Specifications

Standard delivery

- Standard delivery comprises radiator guard of choice, corresponding Lamella heat exchanger (1FS, 2FS and 3FS as specified) and a Reverse angle Herz ½" external direct fit valve kit (suitable for 15mm copper to copper connection on a two-pipe system)
- Colour of casing to be specified at time of order.

*Additional carriage charges will apply for multiple phases

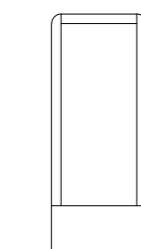
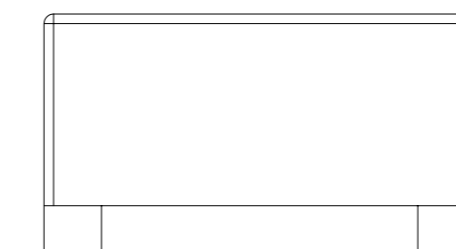
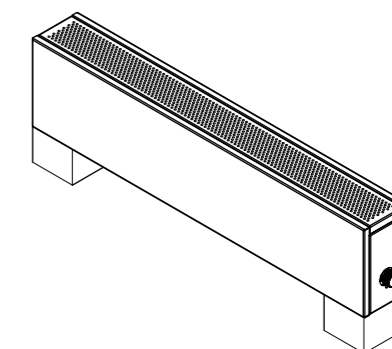
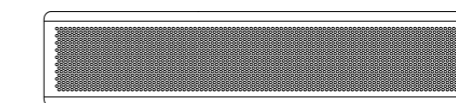
Heat Outputs to BS EN 442 Certification.

Outputs based on a mean radiator water temperature of 70°C and a room temperature of 20°C - Delta T 50°C

To achieve Delta T60 increase T50 figures by 20.5%

To calculate alternative Delta T requirements please refer to page 103

To convert BTU to Watts multiply by 0.293. To convert Watts to BTU divide by 0.293



Casing Depth

Type 1FS	Type 2FS	Type 3FS
138mm	198mm	258mm

