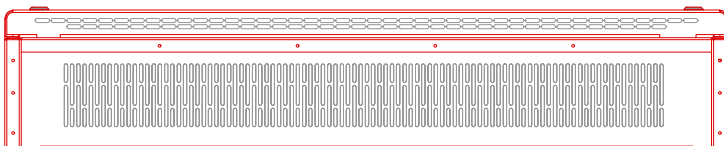
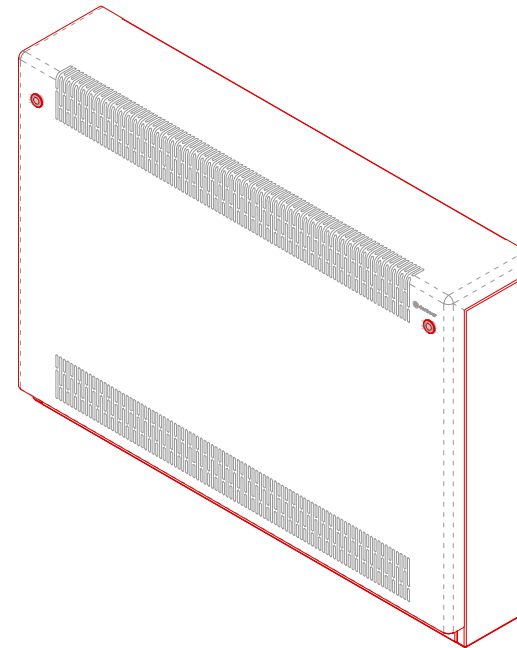
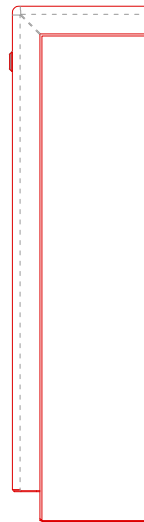
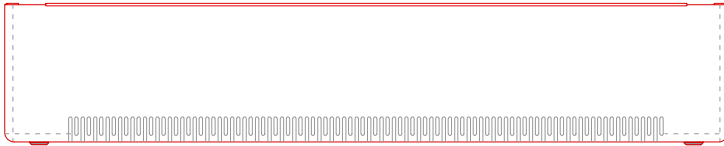


## DeepClean - Flat Top - Wall Mounted



**Type:**  
DeepClean Radiator Guard

**Model:**  
Flat Top - Wall Mounted

**Manufacture:**  
1.5mm Zintec or Magnelis Steel  
10mm Radius Edges and Bullnosed Corners  
Full Height Front Access Door  
5.5mm Punched Grille  
Base Plate with Grille  
Cut-Outs Programmed into Manufacture

**Sizes:**  
Bespoke Made, Modular Design  
To Achieve All Lengths & Heights

**Finish:**  
Polyester Powder Coated RAL 9003  
BioCote® Anti-Microbial Agent

**Valve Options:**  
Available Upon Request

**Fixings:**  
All Fixings Internal  
8mm Pin Hex Door Locks

### Contour Heating Products Ltd

The Mansions  
43 Broadway, Shifnal  
TF11 8BB

Tel 01952 290498  
Email [sales@contourheating.co.uk](mailto:sales@contourheating.co.uk)  
Web [www.contourheating.co.uk](http://www.contourheating.co.uk)